

**PLEASE CHECK WWW.MOLEX.COM FOR LATEST PART INFORMATION**

**Part Number:** [0508587212](#)  
**Status:** **Active**  
**Description:** Ring Tongue Terminal for 6 AWG, Closed Uninsulated Brazed Barrel, Stud Size 5/8" (M16), Oxygen-Free Copper, Length 49.00mm (1.929")

**Documents:**

[Drawing \(PDF\)](#) [Product Specification PS-50858-001 \(PDF\)](#)  
[Product Specification PS-50555-001 \(PDF\)](#) [RoHS Certificate of Compliance \(PDF\)](#)

**Agency Certification**

UL E134962

**General**

Product Family Ring and Spade Terminals  
 Series [50858](#)  
 Crimp Quality Equipment Yes  
 Mil-Spec N/A  
 Product Name R (Ring)  
 Type Ring

**Physical**

Barrel Type Closed - Brazed  
 Insulation None  
 Material - Plating Mating Tin  
 Packaging Type Bag  
 Plating min: Mating (µin) 40  
 Plating min: Mating (µm) 1  
 Plating min: Termination (µin) 40  
 Plating min: Termination (µm) 1  
 Stud Size 5/8" (M16)  
 Termination Interface: Style Crimp or Compression  
 Wire Size AWG 6  
 Wire Size mm<sup>2</sup> 10.52 - 16.78

**Material Info**

**Reference - Drawing Numbers**

Product Specification PS-50555-001, PS-50858-001  
 Sales Drawing SD-50858-001



Series

image - Reference only

**EU RoHS**

**ELV and RoHS Compliant**  
**REACH SVHC**  
 Not Reviewed  
**Halogen-Free Status**

**China RoHS**



**Not Reviewed**

**Need more information on product environmental compliance?**

Email [productcompliance@molex.com](mailto:productcompliance@molex.com)  
 For a multiple part number RoHS Certificate of Compliance, [click here](#)

Please visit the [Contact Us](#) section for any non-product compliance questions.

**Search Parts in this Series**

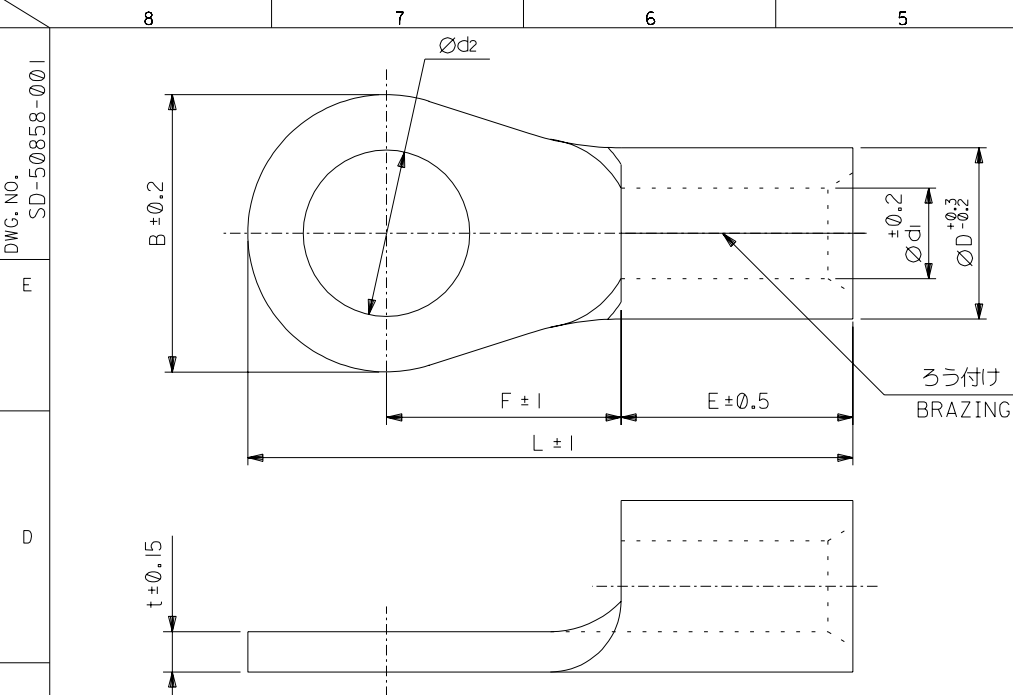
[50858Series](#)

**Application Tooling | FAQ**

*Tooling specifications and manuals are found by selecting the products below. Crimp Height Specifications are then contained in the Application Tooling Specification document.*

**Japan**

Description	Product #
Battery Type Hand Crimper For JIS Terminal	<a href="#">0573439004</a>

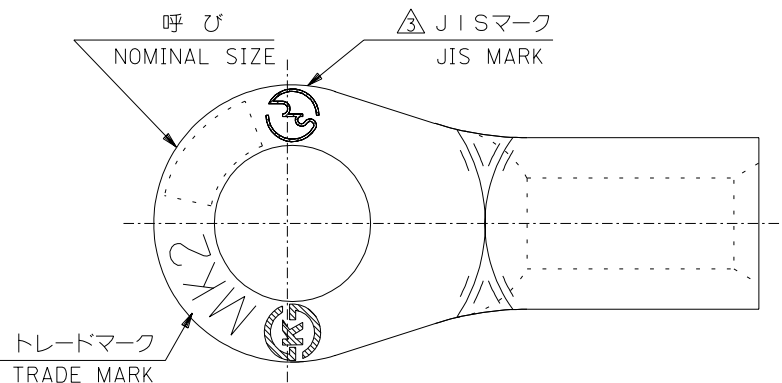


注記 NOTES

- 材質 MATERIAL  
端子：無酸素銅、スズメッキ  
TERMINAL: OXYGEN FREE COPPER, TIN PLATING  
ろう付け部：りん銅ろう  
PART OF BRAZING : COPPER PHOSPHORUS BRAZING FILLER METALS
- 適用電線 APPLICABLE WIRE RANGE

単線 SOLID WIRE	撚線 STRANDED WIRE
3.65-4.62 mm	10.52-16.78 mm <sup>2</sup>

△ JIS認定品にのみ刻印。  
DIE STAMPED MARK IS ALLOWED ONLY  
FOR JIS FILED PRODUCTS.



	1.6	5.8	9	10	24	49	30	21.0 <sup>+0.2</sup>		20	50858-7012
								17.2 <sup>+0.2</sup>	14	16	50858-7212
JIS								15.2 <sup>+0.2</sup>		14	50858-7112
△	t	$\varnothing d_1$	$\varnothing D$	E	F	L	B	$\varnothing d_2$	呼 び NOMINAL SIZE	MATERIAL NO.	

DO NOT SCALE DRAWING

64 NO. DRWN: CH'K: APPR: 63 NO. DRWN: CH'K: APPR: 62 NO. DRWN: CH'K: APPR: 61 NO. DRWN: CH'K: APPR:	RELEASED 60 NO. J2003-2112 DRWN: T.KAIHO '03/02/10 CH'K: T.ITO APPR: T.O. YAMAGUCHI	MATERIAL 材料 注記参照 SEE NOTES FINISH 仕上げ 注記参照 SEE NOTES WIRE RANGE 適用電線範囲 INS. RANGE 被覆外径	GENERAL TOLERANCES: (UNLESS SPECIFIED) 一般公差 10 UNDER 未満 30 UNDER 未満 30 OVER 以上 ANGLE 角度	SCALE 1:1 DESIGN UNITS <input checked="" type="checkbox"/> mm <input type="checkbox"/> INCH DRAWN BY & DATE T.KAIHO '03/02/10 CHECKED BY & DATE T.ITO '03/02/10 APPROVED BY & DATE T.YAMAGUCHI '03/02/10 CAD FILENAME SD50858001.S01	MODEL NO. 50858-7*12 DIMENSIONS: <input type="checkbox"/> mm <input type="checkbox"/> INCH <input checked="" type="checkbox"/> mm ONLY SHT 22 REV 01 TITLE: RING TERMINAL(銅線用裸圧着端子) MOLEX MOLEX INCORPORATED MATERIAL NO. SEE CHART DRAWING NO. SD-50858-001 SHEET NO. 1 OF 1 SIZE B
--	---	---	---	--	--